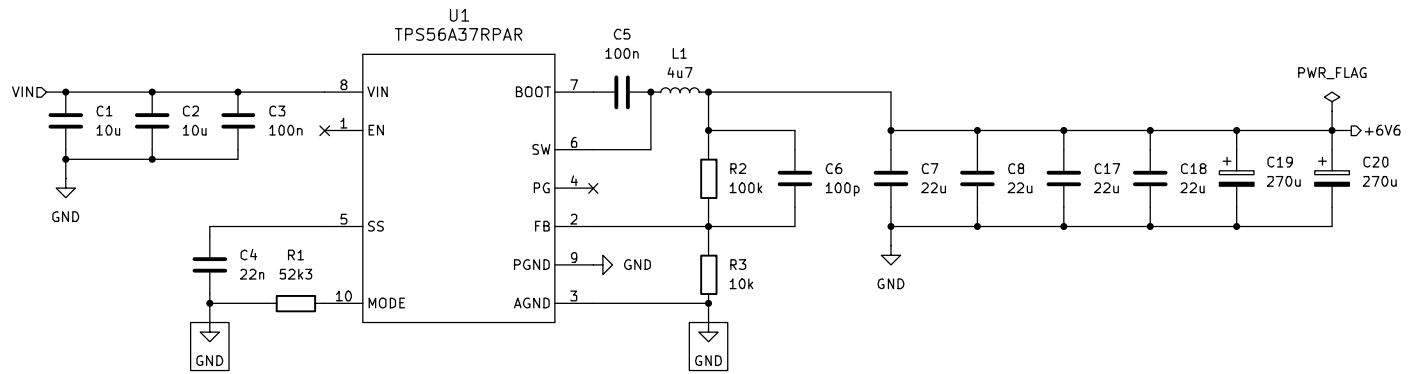


- H1 MountingHole
- H2 MountingHole
- H3 MountingHole
- H4 MountingHole



IMPORTANT: Isolate boxed GND nets according to the datasheet!

